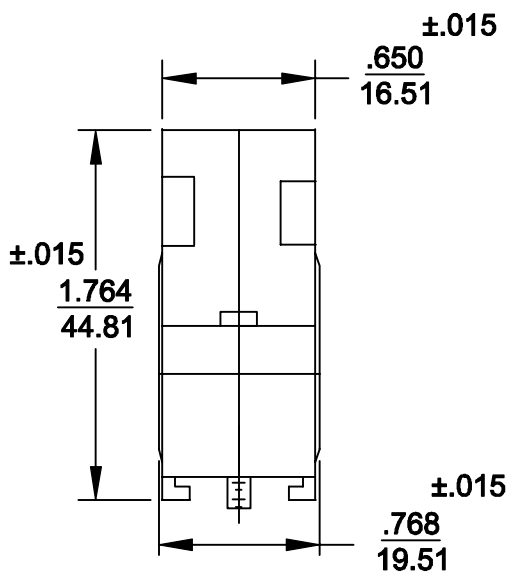
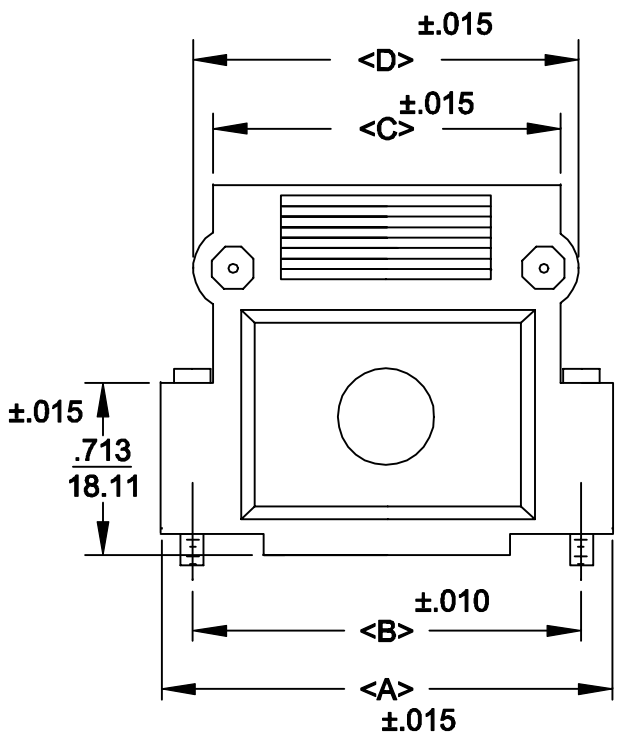


DESCRIPTION: **976 SERIES**

- BACKSHELL KIT INCLUDES:**  
 (2) BACKSHELL HALVES  
 (2) 4-40 MATING SCREWS  
 (2) HOUSING SCREWS  
 (2) HOUSING NUTS



976-XXX-XXX-XX1

SERIES \_\_\_\_\_  
 POSITIONS \_\_\_\_\_  
 009  
 015  
 025  
 037


MATERIAL \_\_\_\_\_  
 010 = PLASTIC  
 020 = METALIZED PLASTIC

COLOR: \_\_\_\_\_  
 03 = GREY  
 12 = NICKEL OVER COPPER

PUT-UPS \_\_\_\_\_  
 1 = KIT

POS.	A	B	C	D
9	1.319	.984	.758	.946
	33.50	24.99	19.25	24.03
15	1.622	1.312	1.102	1.289
	41.20	33.32	27.99	32.74
25	2.157	1.852	1.642	1.874
	54.79	47.04	41.71	47.60
37	2.815	2.500	2.283	2.470
	71.50	63.50	57.99	62.74

**METALIZED PLASTIC:**  
**MATERIALS: ABS HIGH TEMPERATURE PLASTIC 94HB**  
**PLATING: CHROME**  
**METALIZED PLASTIC:**  
**MATERIALS: ABS HIGH TEMPERATURE PLASTIC 94HB - GREY**

	THESE DRAWINGS AND SPECIFICATIONS ARE THE PROPERTY OF NorComp AND SHALL NOT BE REPRODUCED, COPIED OR USED AS THE BASIS FOR THE MANUFACTURE OR SALE OF APPARATUS WITHOUT WRITTEN PERMISSION.		DRAWN: <b>PAM JENKINS</b>	DATE: <b>8-6-98</b>
			CHECKED:	DATE:
<b>NorComp</b>		SCALE	SHEET OF	REV <b>2</b>
		DWG NO. <b>976-XXX-0X0-XX1</b>		